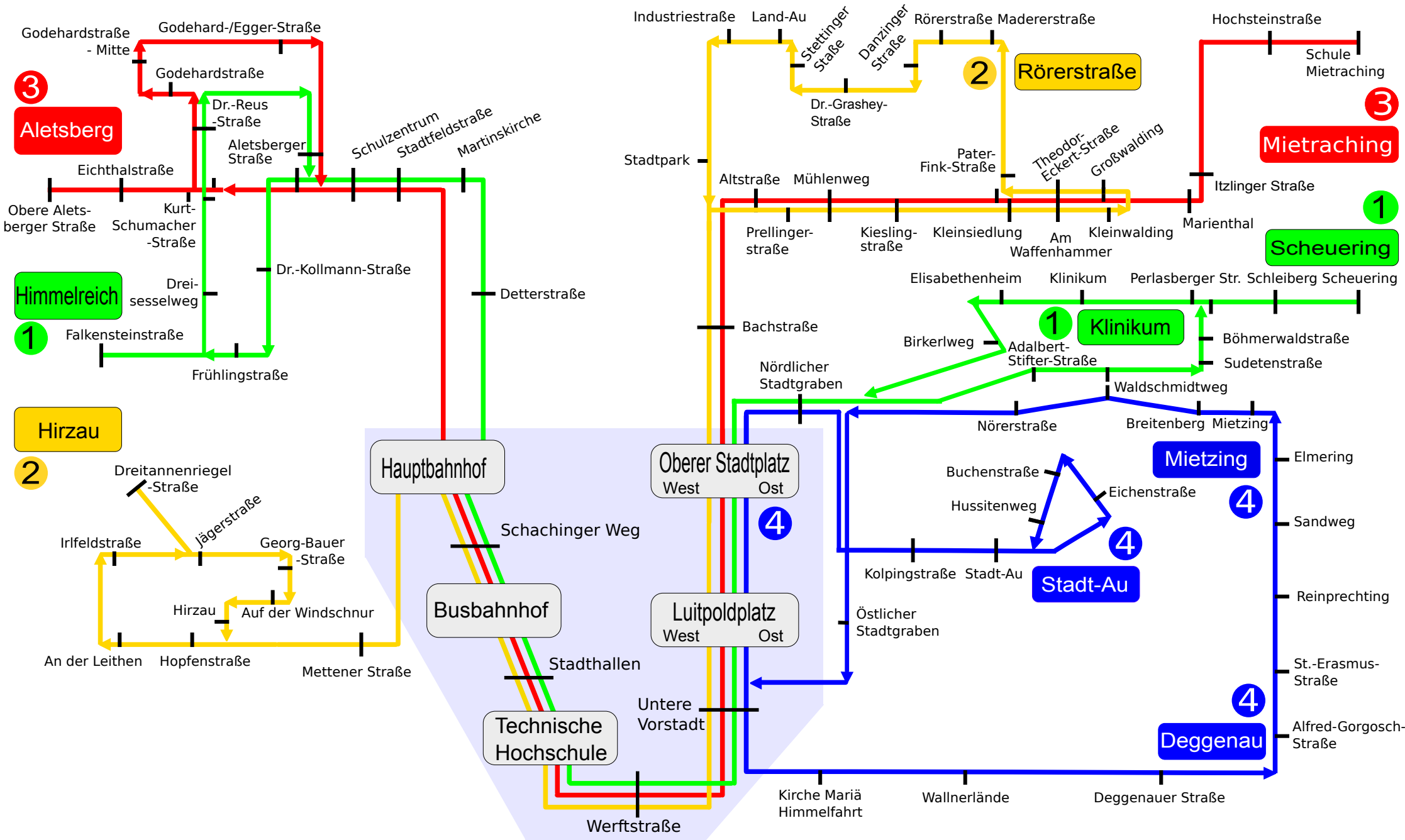


Stadtbusnetz Deggendorf

Stand: 01.01.2014



Stammstrecke:	Hauptbahnhof - Busbahnhof - Technische Hochschule - Oberer Stadtplatz
1	Himmelreich - Stammstrecke - Klinikum - Scheuering
2	Hirzau - Stammstrecke - Rörerstraße
3	Aletsberg - Stammstrecke - Mietraching
4	Zentrum - Deggenau - Mietzing - Zentrum - Stadt-Au

Stammstrecke: Hauptbahnhof – Busbahnhof – Technische Hochschule – Oberer Stadtplatz (Zentrum)

gültig ab 01.01.2014

Montag – Samstag

Linie	1	2	1	3	2	1	3	2	1	3	2	1	3	2	1	3	3
Hauptbahnhof Abfahrt	07:10	07:40	08:06	08:22	08:40	09:06	09:22	09:40	10:06	10:22	10:40	11:06	11:22	11:40	12:06	12:22	13:22
Schachinger Weg	07:11	07:41	08:07	08:23	08:41	09:07	09:23	09:41	10:07	10:23	10:41	11:07	11:23	11:41	12:07	12:23	13:23
Busbahnhof	---	07:42	08:08	08:24	08:42	09:08	09:24	09:42	10:08	10:24	10:42	11:08	11:24	11:42	12:08	12:24	13:24
Stadhallen	---	07:43	08:09	08:25	08:43	09:09	09:25	09:43	10:09	10:25	10:43	11:09	11:25	11:43	12:09	12:25	13:25
Technische Hochschule	---	07:44	08:10	08:26	08:44	09:10	09:26	09:44	10:10	10:26	10:44	11:10	11:26	11:44	12:10	12:26	13:26
Wertstraße	---	07:45	08:11	08:27	08:45	09:11	09:27	09:45	10:11	10:27	10:45	11:11	11:27	11:45	12:11	12:27	13:27
Untere Vorstadt	---	07:46	08:12	08:29	08:46	09:12	09:29	09:46	10:12	10:29	10:46	11:12	11:29	11:46	12:12	12:29	13:29
Luitpoldplatz Ost	---	07:48	08:14	08:30	08:48	09:14	09:30	09:48	10:14	10:30	10:48	11:14	11:30	11:48	12:14	12:30	13:30
Hindenburgstraße	07:13	---	---	---	---	---	---	---	---	---	---	---	---	---	---	---	---
Oberer Stadtplatz Ost Ankunft	---	07:49	08:15	08:31	08:49	09:15	09:31	09:49	10:15	10:31	10:49	11:15	11:31	11:49	12:15	12:31	13:31
Nördlicher Stadtgraben	07:14	---	08:16	---	---	09:16	---	---	10:16	---	---	11:16	---	---	12:16	---	---

Montag – Freitag

Linie	2	1	3	2	1	3	2	1	3	2	1	3	2	1	3	2	1	3
Hauptbahnhof Abfahrt	12:40	13:06	13:22	13:40	14:06	14:22	14:40	15:06	15:22	15:40	16:06	16:22	16:40	17:06	17:22	17:40	18:06	18:22
Schachinger Weg	12:41	13:07	13:23	13:41	14:07	14:23	14:41	15:07	15:23	15:41	16:07	16:23	16:41	17:07	17:23	17:41	18:07	18:23
Busbahnhof	12:42	13:08	13:24	13:42	14:08	14:24	14:42	15:08	15:24	15:42	16:08	16:24	16:42	17:08	17:24	17:42	18:08	18:24
Stadhallen	12:43	13:09	13:25	13:43	14:09	14:25	14:43	15:09	15:25	15:43	16:09	16:25	16:43	17:09	17:25	17:43	18:09	18:25
Technische Hochschule	12:44	13:10	13:26	13:44	14:10	14:26	14:44	15:10	15:26	15:44	16:10	16:26	16:44	17:10	17:26	17:44	18:10	18:26
Wertstraße	12:45	13:11	13:27	13:45	14:11	14:27	14:45	15:11	15:27	15:45	16:11	16:27	16:45	17:11	17:27	17:45	18:11	18:27
Untere Vorstadt	12:46	13:12	13:29	13:46	14:12	14:29	14:46	15:12	15:29	15:46	16:12	16:29	16:46	17:12	17:29	17:46	18:12	18:29
Luitpoldplatz Ost	12:48	13:14	13:30	13:48	14:14	14:30	14:48	15:14	15:30	15:48	16:14	16:30	16:48	17:14	17:30	17:48	18:14	18:30
Oberer Stadtplatz Ost Ankunft	12:49	13:15	13:31	13:49	14:15	14:31	14:49	15:15	15:31	15:49	16:15	16:31	16:49	17:15	17:31	17:49	18:15	18:31
Nördlicher Stadtgraben	---	13:16	---	---	14:16	---	---	15:16	---	---	16:16	---	---	17:16	---	---	18:16	---

Stammstrecke: Oberer Stadtplatz (Zentrum) – Technische Hochschule – Busbahnhof – Hauptbahnhof

gültig ab 01.01.2014

Montag – Samstag

Linie	1	2	2	1	3	2	1	3	2	1	3	2	1	3	2	1	3
Oberer Stadtplatz West Abfahrt	07:29	07:44	08:14	08:31	08:56	09:14	09:31	09:56	10:14	10:31	10:56	11:14	11:31	11:56	12:14	12:31	12:56
Luitpoldplatz West	07:30	07:45	08:15	08:32	08:57	09:15	09:32	09:57	10:15	10:32	10:57	11:15	11:32	11:57	12:15	12:32	12:57
Untere Vorstadt	07:31	07:47	08:17	08:33	08:59	09:17	09:33	09:59	10:17	10:33	10:59	11:17	11:33	11:59	12:17	12:33	12:59
Wertstraße	07:32	07:48	08:18	08:34	09:00	09:18	09:34	10:00	10:18	10:34	11:00	11:18	11:34	12:00	12:18	12:34	13:00
Technische Hochschule	07:33	07:49	08:19	08:35	09:01	09:19	09:35	10:01	10:19	10:35	11:01	11:19	11:35	12:01	12:19	12:35	13:01
Stadhallen	07:34	07:50	08:20	08:36	09:02	09:20	09:36	10:02	10:20	10:36	11:02	11:20	11:36	12:02	12:20	12:36	13:02
Busbahnhof	---	07:51	08:21	08:37	09:03	09:21	09:37	10:03	10:21	10:37	11:03	11:21	11:37	12:03	12:21	12:37	13:03
Schachinger Weg	---	07:52	08:22	08:38	09:04	09:22	09:38	10:04	10:22	10:38	11:04	11:22	11:38	12:04	12:22	12:38	13:04
Hauptbahnhof Ankunft	07:40	07:53	08:23	08:39	09:05	09:23	09:39	10:05	10:23	10:39	11:05	11:23	11:39	12:05	12:23	12:39	13:05

Montag – Freitag

Linie	2	1	3	2	1	3	2	1	3	2	1	3	2	1	3	2	1
Oberer Stadtplatz West Abfahrt	13:14	13:31	13:56	14:14	14:31	14:56	15:14	15:31	15:56	16:14	16:31	16:56	17:14	17:31	17:56	18:14	18:31
Luitpoldplatz West	13:15	13:32	13:57	14:15	14:32	14:57	15:15	15:32	15:57	16:15	16:32	16:57	17:15	17:32	17:57	18:15	18:32
Untere Vorstadt	13:17	13:33	13:59	14:17	14:33	14:59	15:17	15:33	15:59	16:17	16:33	16:59	17:17	17:33	17:59	18:17	18:33
Wertstraße	13:18	13:34	14:00	14:18	14:34	15:00	15:18	15:34	16:00	16:18	16:34	17:00	17:18	17:34	18:00	18:18	18:34
Technische Hochschule	13:19	13:35	14:01	14:19	14:35	15:01	15:19	15:35	16:01	16:19	16:35	17:01	17:19	17:35	18:01	18:19	18:35
Stadhallen	13:20	13:36	14:02	14:20	14:36	15:02	15:20	15:36	16:02	16:20	16:36	17:02	17:20	17:36	18:02	18:20	18:36
Busbahnhof	13:21	13:37	14:03	14:21	14:37	15:03	15:21	15:37	16:03	16:21	16:37	17:03	17:21	17:37	18:03	18:21	18:37
Schachinger Weg	13:22	13:38	14:04	14:22	14:38	15:04	15:22	15:38	16:04	16:22	16:38	17:04	17:22	17:38	18:04	18:22	18:38
Hauptbahnhof Ankunft	13:23	13:39	14:05	14:23	14:39	15:05	15:23	15:39	16:05	16:23	16:39	17:05	17:23	17:39	18:05	18:23	18:39

Linie 4 Zentrum - Deggenau - Zentrum - Stadt-Au und zurück

gültig ab 01.01.2014

	Montag – Samstag		Montag – Freitag	
Oberer Stadtplatz West Abfahrt	08:35	10:35	13:35	15:35
Luitpoldplatz West	08:36	10:36	13:36	15:36
Untere Vorstadt	08:38	10:38	13:38	15:38
Kirche Mariae Himmelfahrt	08:39	10:39	13:39	15:39
Wallnerlände	08:40	10:40	13:40	15:40
Deggenauer Straße	08:41	10:41	13:41	15:41
Alfred-Gorgosch-Straße	08:42	10:42	13:42	15:42
St-Erasmus-Straße	08:43	10:43	13:43	15:43
Reinprechting	08:44	10:44	13:44	15:44
Sandweg	08:46	10:46	13:46	15:46
Elmering	08:47	10:47	13:47	15:47
Mietzing	08:49	10:49	13:49	15:49
Breitenberg	08:50	10:50	13:50	15:50
Waldschmidtweg	08:52	10:52	13:52	15:52
Nörerstraße	08:53	10:53	13:53	15:53
Östlicher Stadtgraben	08:55	10:55	13:55	15:55
Luitpoldplatz Ost	08:57	10:57	13:57	15:57
Oberer Stadtplatz Ost Ankunft	08:58	10:58	13:58	15:58
Oberer Stadtplatz Ost Abfahrt	08:59	10:59	13:59	15:59
Nördlicher Stadtgraben	09:00	11:00	14:00	16:00
Kolpingstraße	09:02	11:02	14:02	16:02
Stadt-Au	09:03	11:03	14:03	16:03
Eichenstraße	09:03	11:03	14:03	16:03
Buchenstraße	09:05	11:05	14:05	16:05
Hussitenweg	09:06	11:06	14:06	16:06
Stadt-Au	09:07	11:07	14:07	16:07
Kolpingstraße	09:08	11:08	14:08	16:08
Nördlicher Stadtgraben	09:10	11:10	14:10	16:10
Oberer Stadtplatz West Ankunft	09:11	11:11	14:11	16:11

Stand 03.12.2013